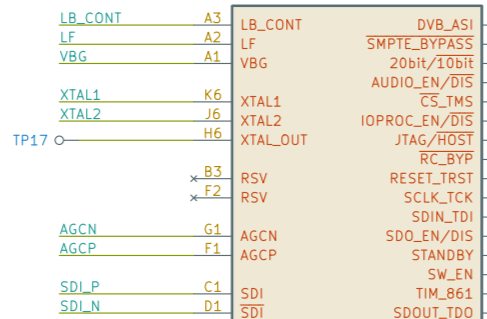
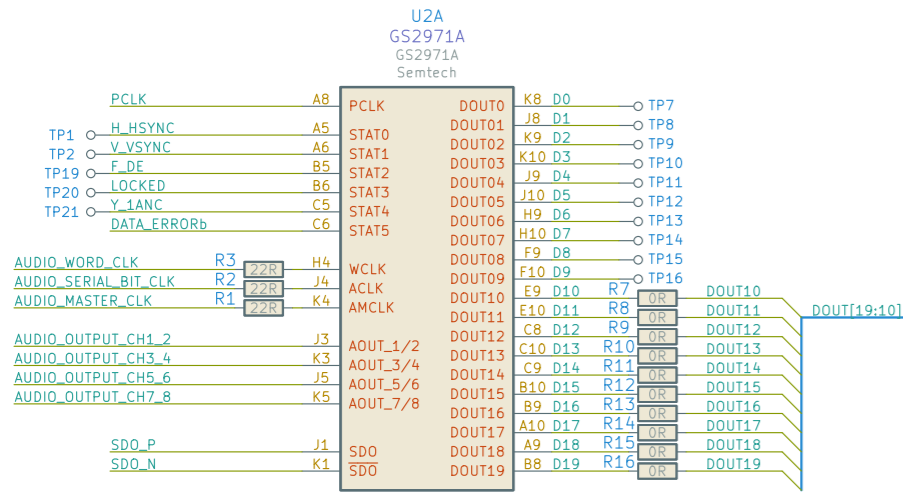
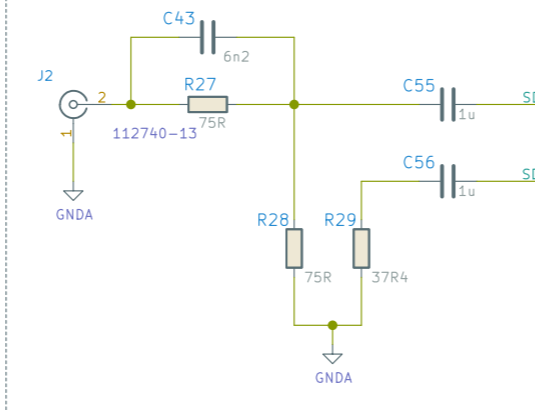


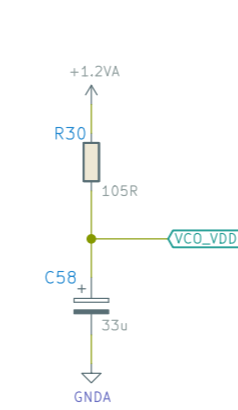
# SDI deserializer



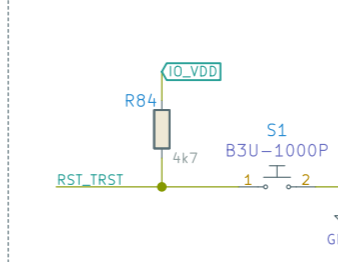
# SDI input



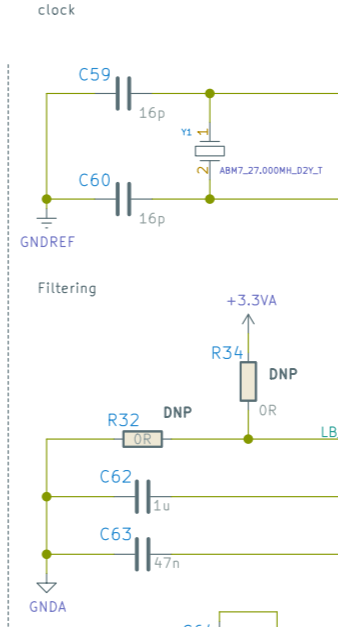
# Filtering



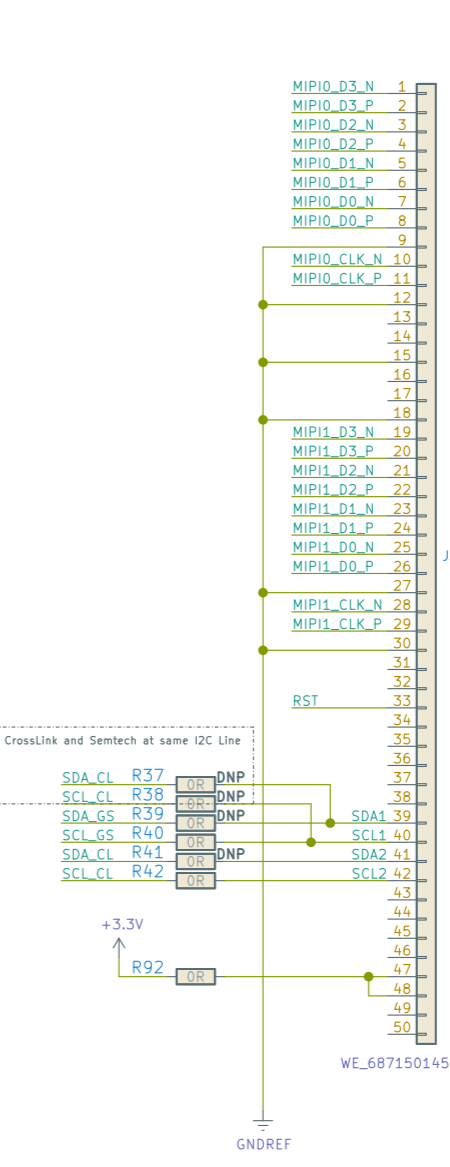
# RESET



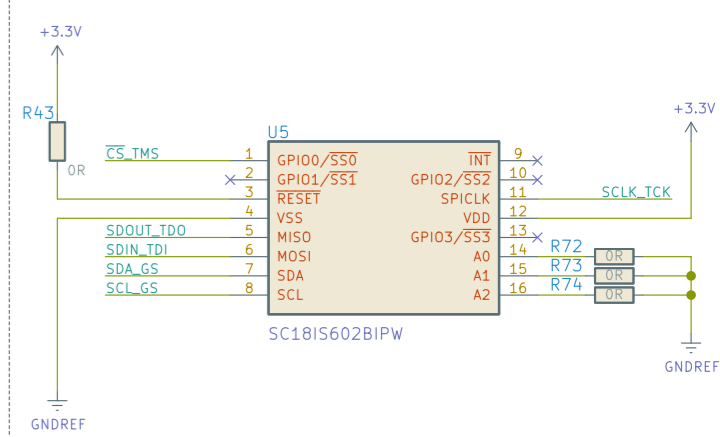
# Place close to GS2971A



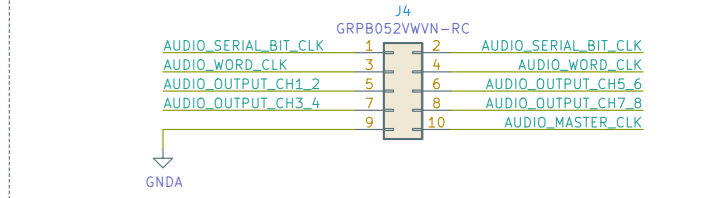
# MIPI connector



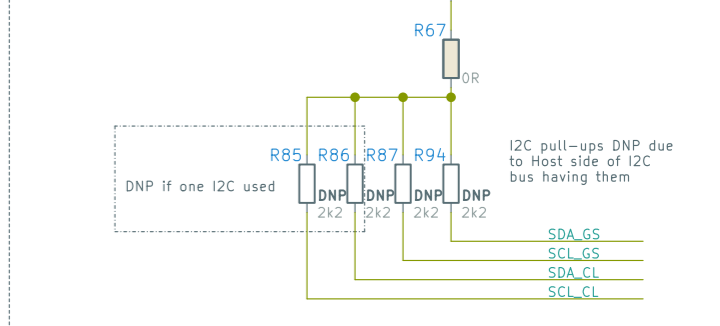
# I2C to SPI bridge



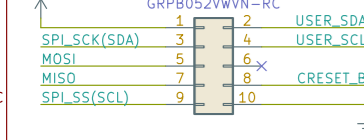
# I2S connector



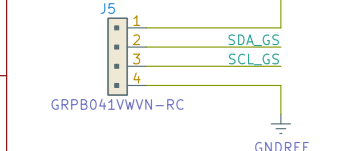
# Pull-up resistors



# Programming interface



# GS\_I2C

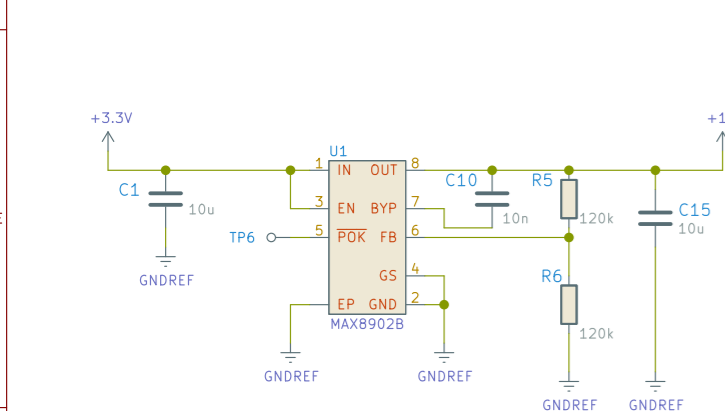


# Logotypes

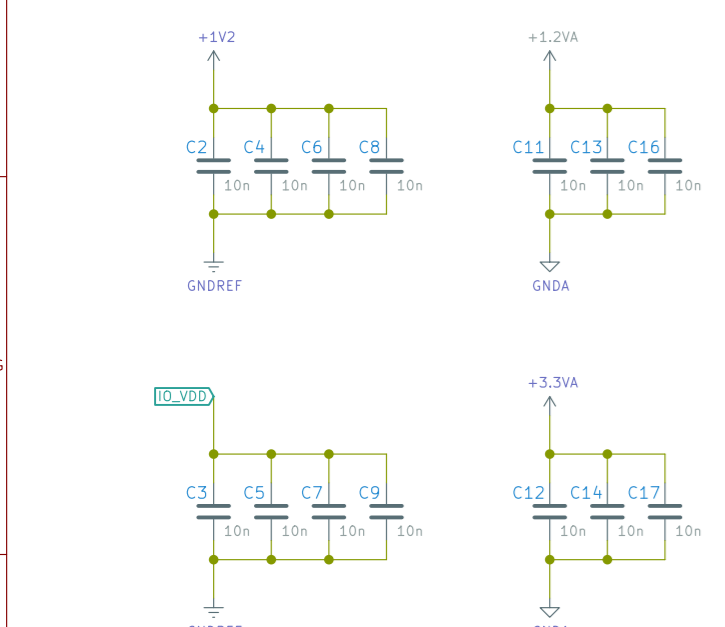


# Power supply

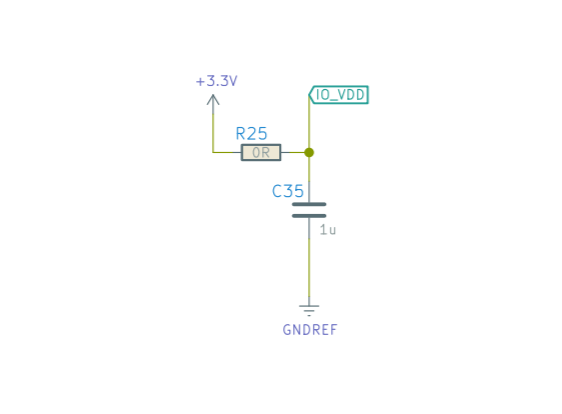
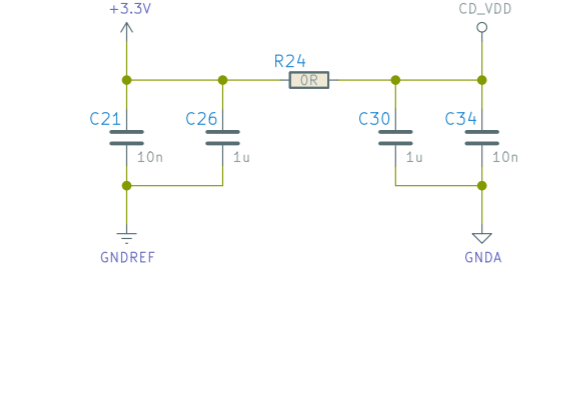
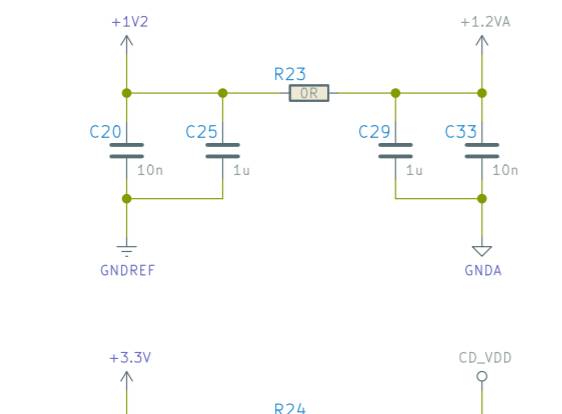
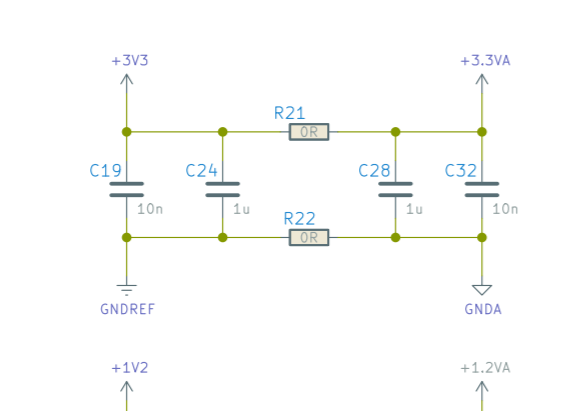
## Low noise LDO



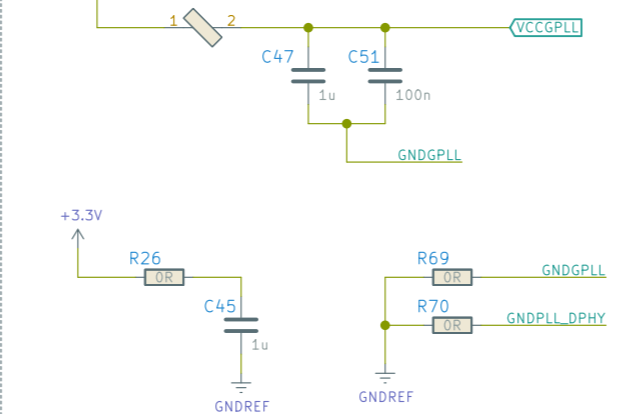
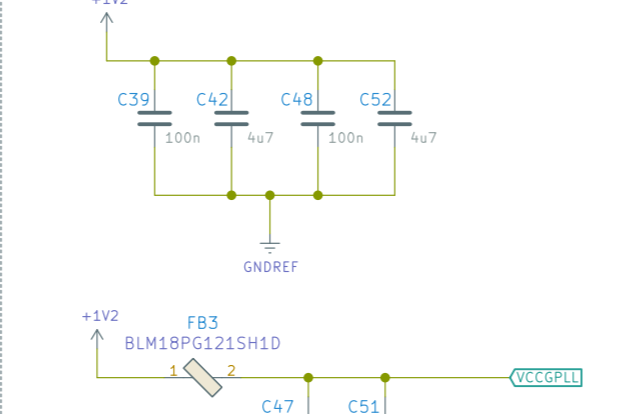
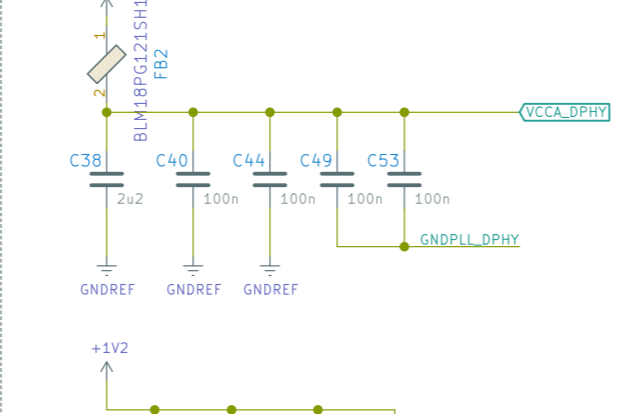
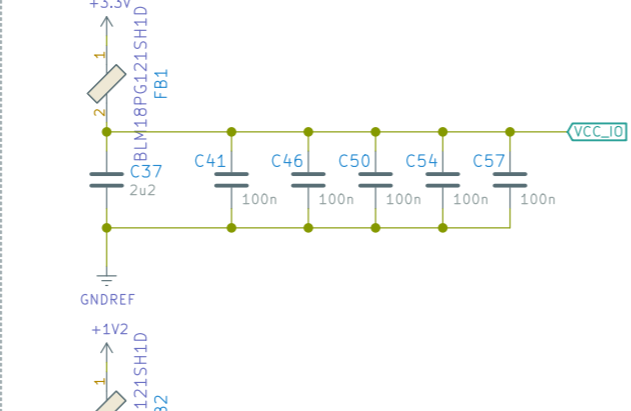
## Power decoupling



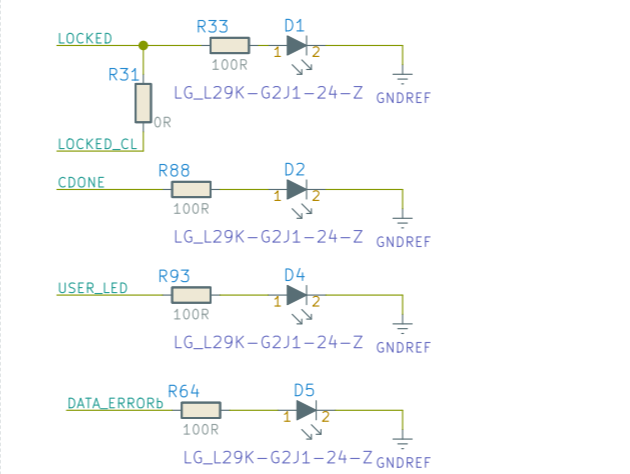
## GS Power Filtering



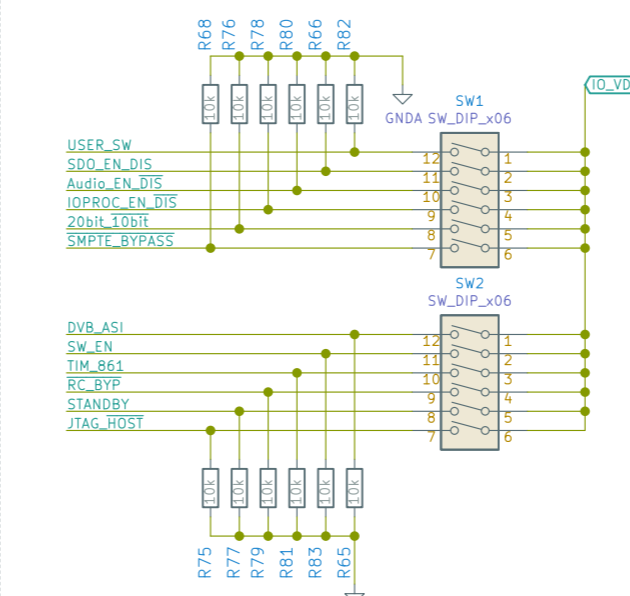
## CrossLink Power Filtering



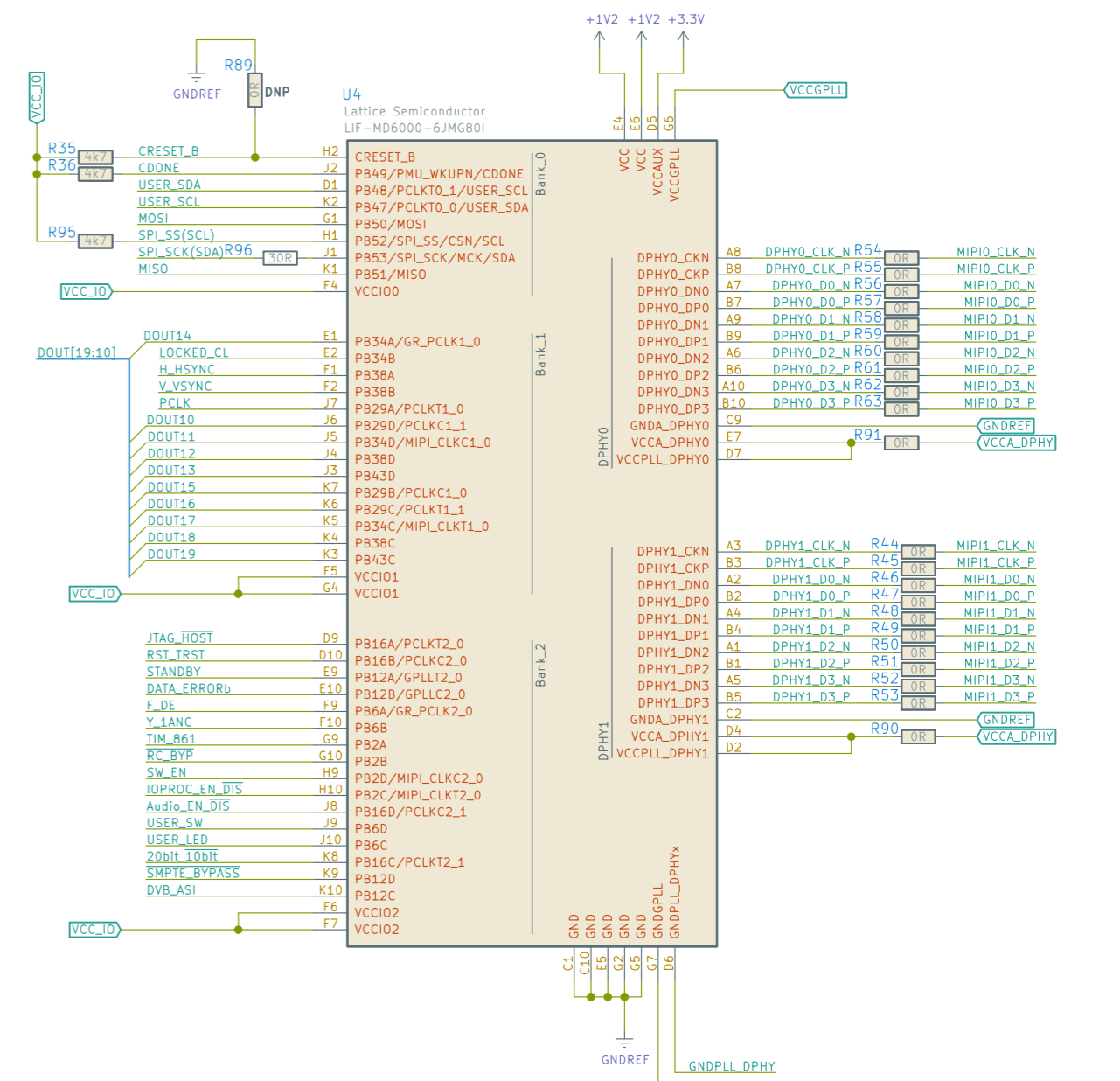
## LED INDICATORS



## Configuration DIP Switches



## CrossLink MIPI transmitter



**Rework for I2C-based bitstream loading:**  
U5 GPIO2 [pin 10] connected to CRESET\_B net  
SPL\_SCK(SDA) net connected to SDA\_GS  
SPL\_SS(SCL) net connected to SCL\_GS