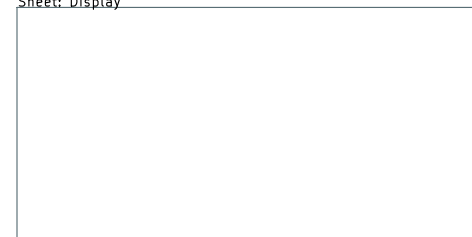


Sheet: CSI



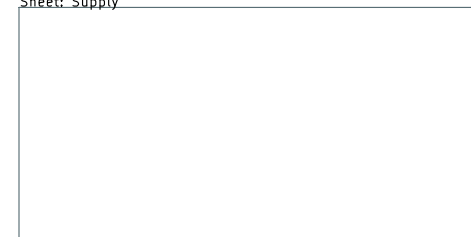
File: csi.sch

Sheet: Display



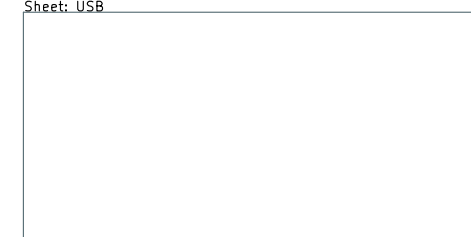
File: display.sch

Sheet: Supply



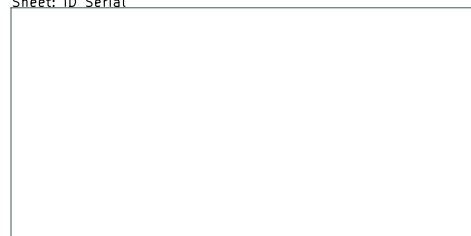
File: supply.sch

Sheet: USB



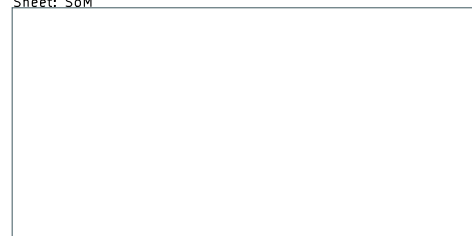
File: usb-debug.sch

Sheet: ID_Serial



File: id-serial.sch

Sheet: SoM



File: som.sch

Sheet: Interfaces

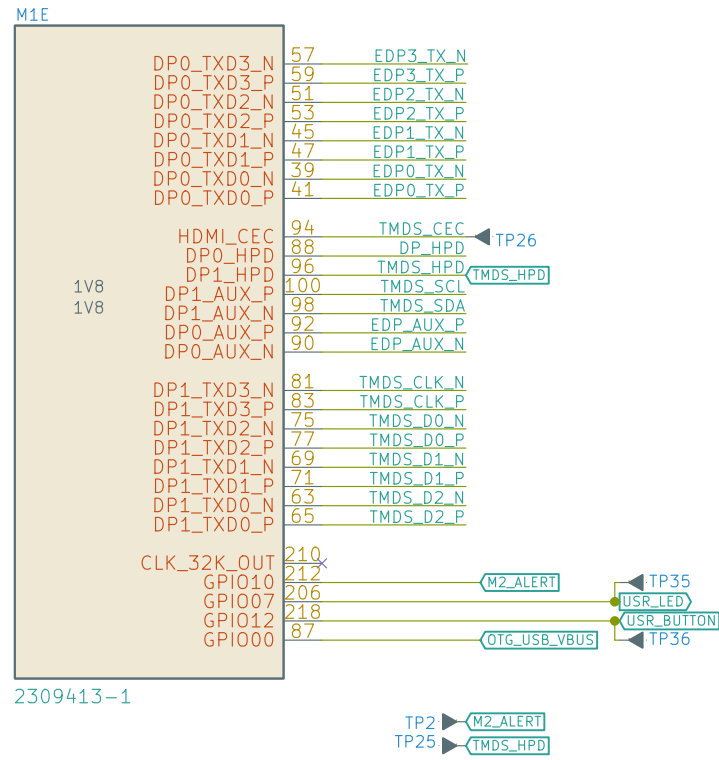


File: Interfaces.sch

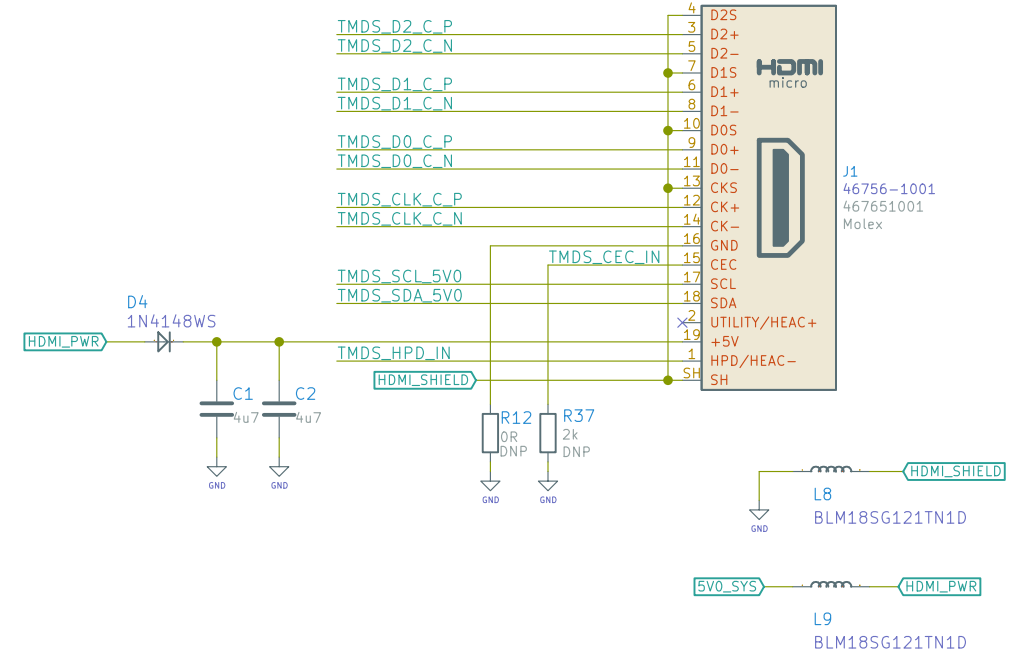
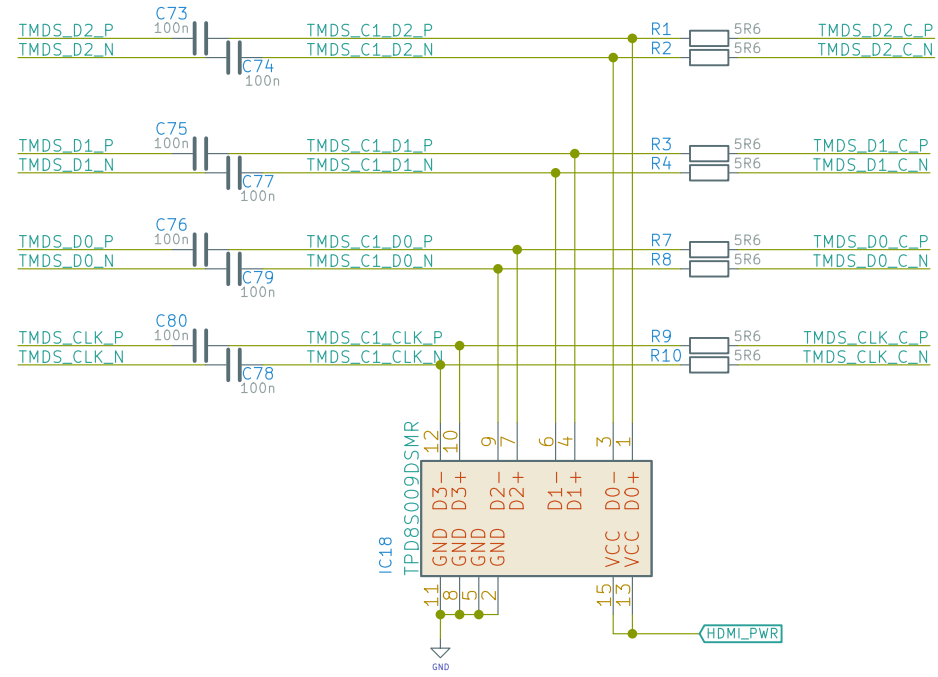
Logo ^{N3} crc_logo
 Logo ^{N2} oshw_logo
 Logo ^{N1} antmicro_logo

Antmicro Ltd www.antmicro.com	
Sheet: / File: jetson-nano-baseboard.sch	
Title: Jetson Nano Baseboard	
Size: A3	Date: 2021-12-31
KiCad E.D.A. kicad (5.1.9-0-10_14)	Rev: 1.5.0 Id: 1/8

Display

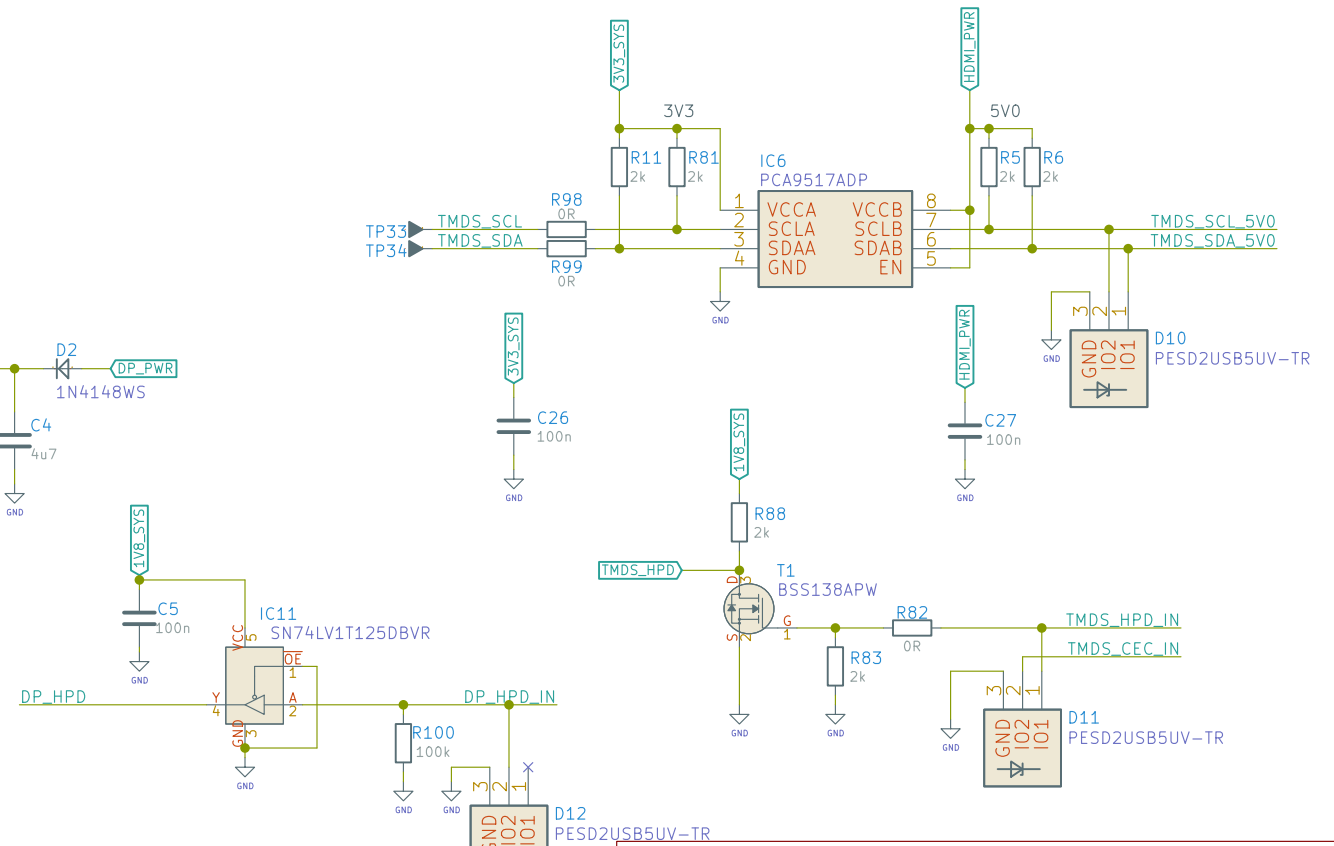
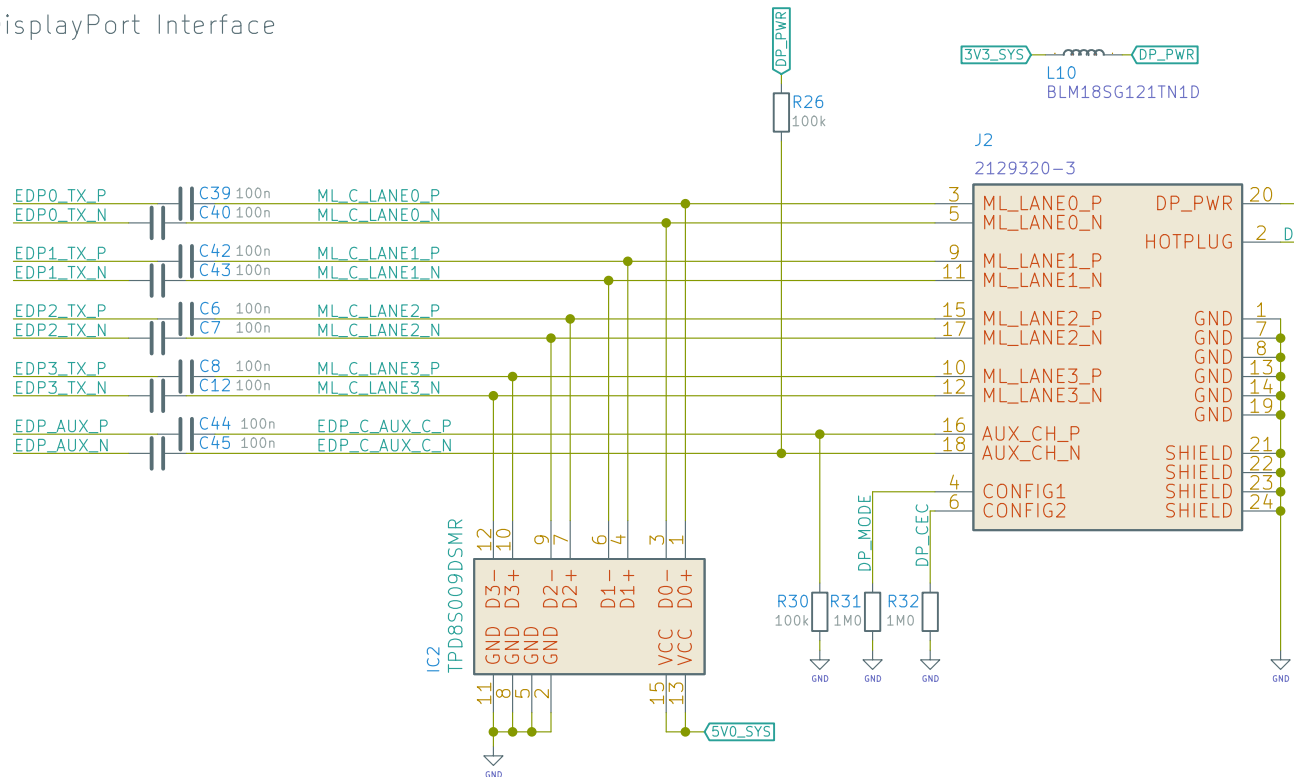


HDMI Interface



DDC/HPD

DisplayPort Interface



Antmicro Ltd
www.antmicro.com
Antmicro Ltd
Sheet: /Display/
File: display.sch

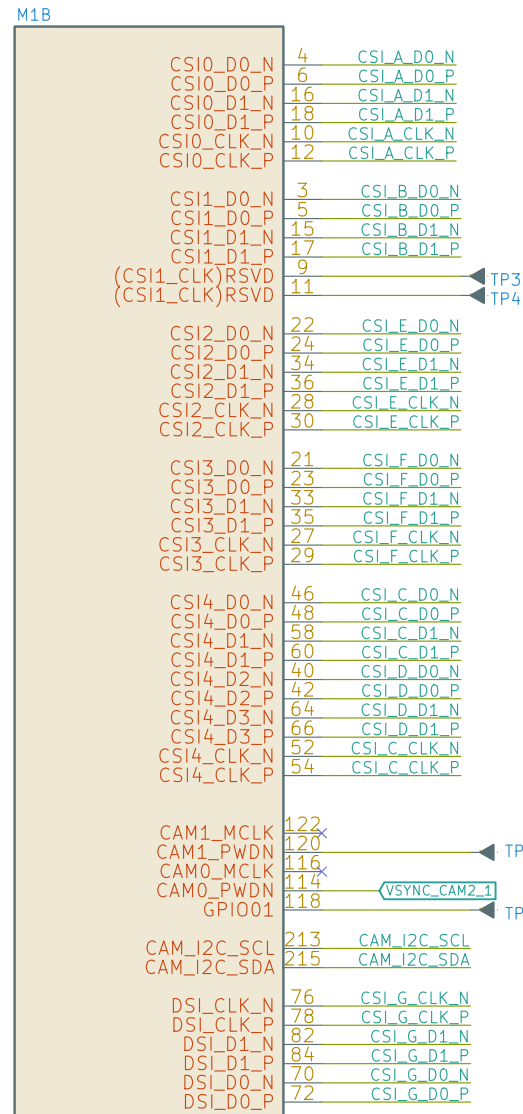
Title: Jetson Nano Baseboard

Size: A3 Date: 2021-12-31
KiCad E.D.A. kicad (5.1.9-0-10.14)

Rev: 1.5.0
Id: 2/8

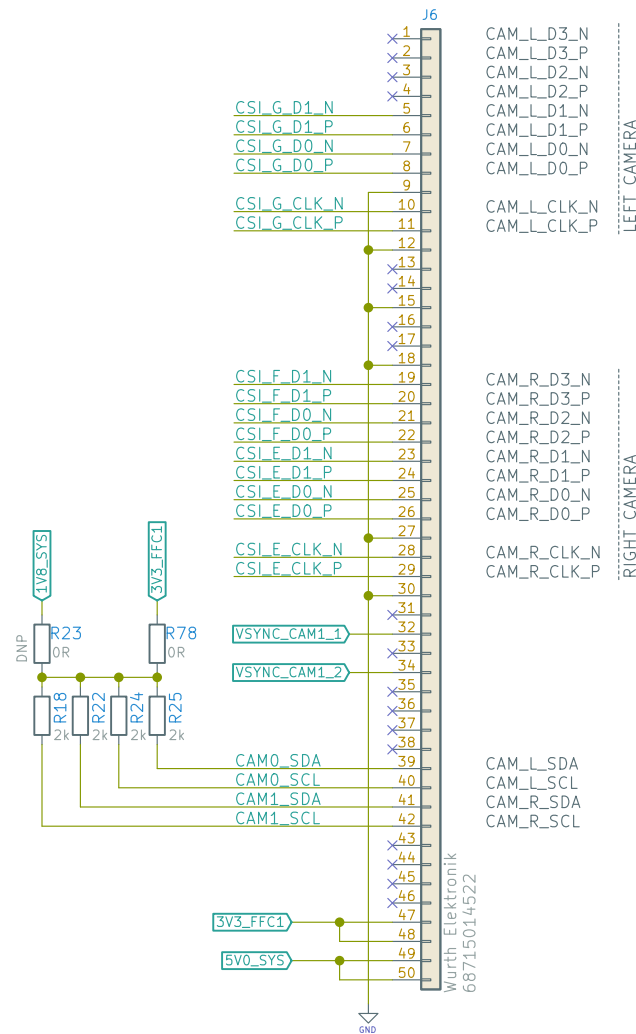
Camera Interfaces

SoM interface

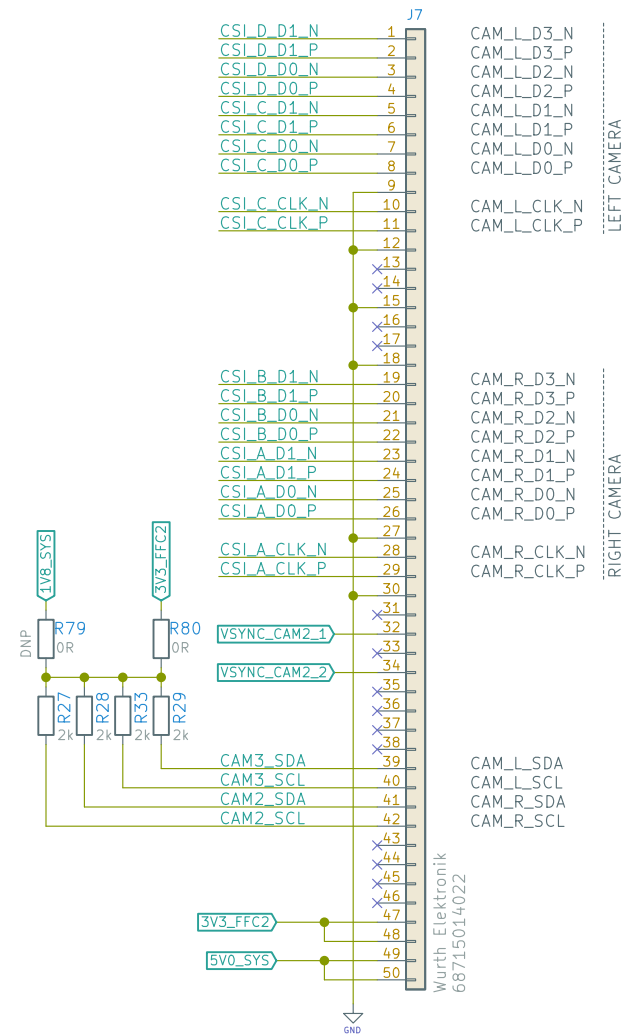


2309413-1

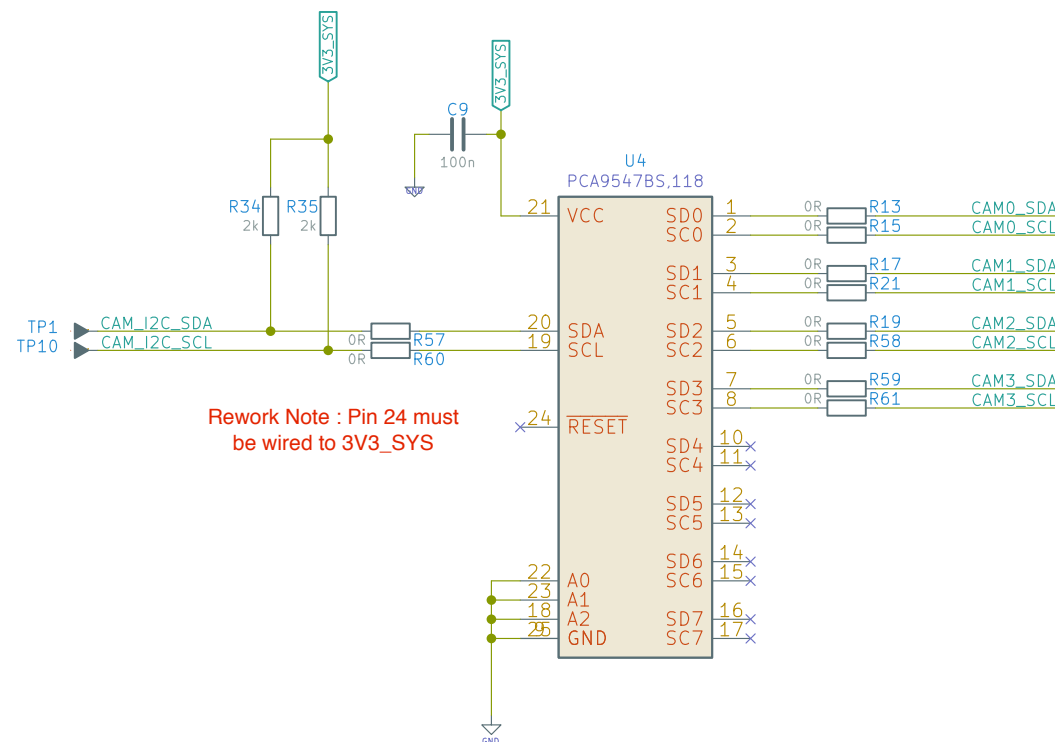
Camera FFC #1



Camera FFC #2



Camera I2C multiplexer

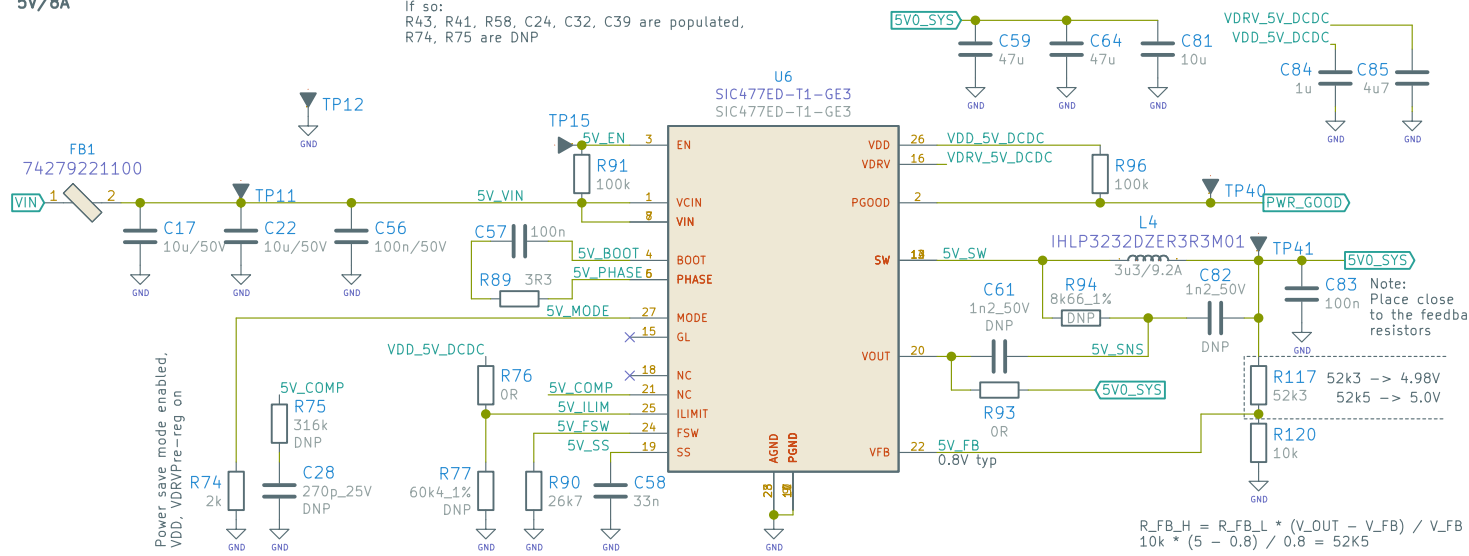


Antmicro Ltd www.antmicro.com		
Antmicro Ltd		
Sheet: /CSI/ File: csi.sch		
Title: Jetson Nano Baseboard		
Size: A3	Date: 2021-12-31	Rev: 1.5.0
KiCad E.D.A. kicad (5.1.9-0-10_14)		Id: 3/8

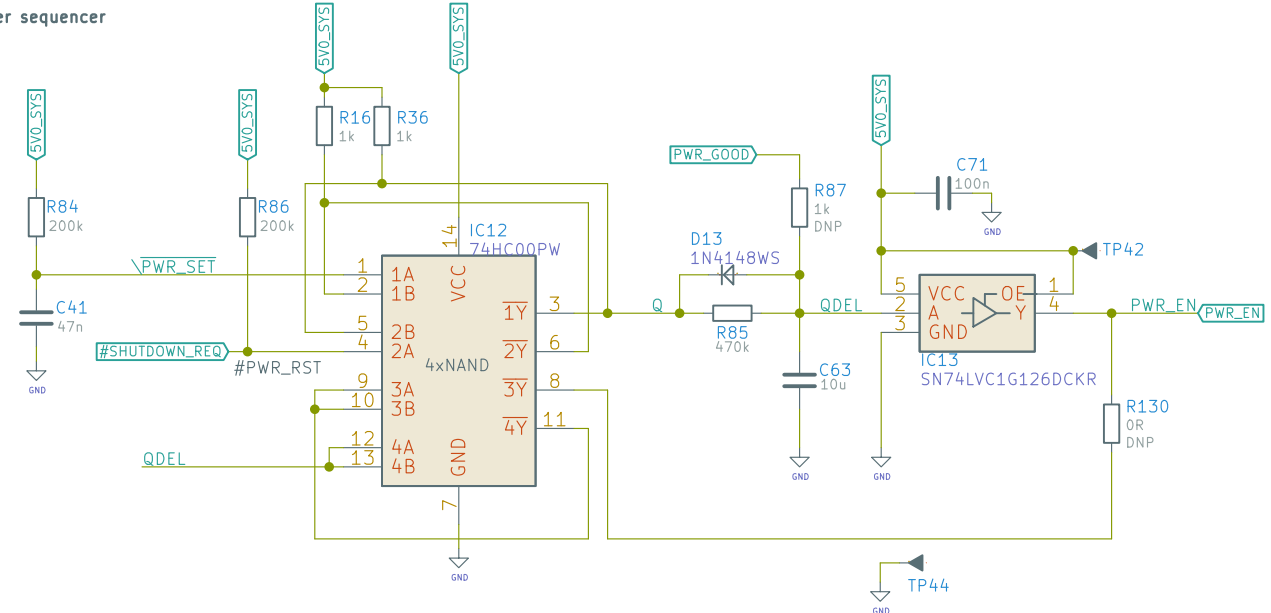
Power Supply

5V DC/DC
5V/8A

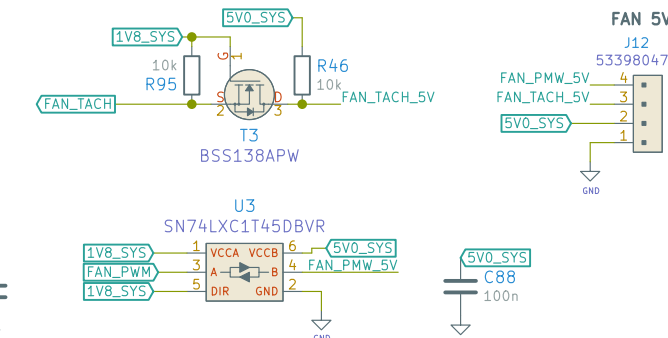
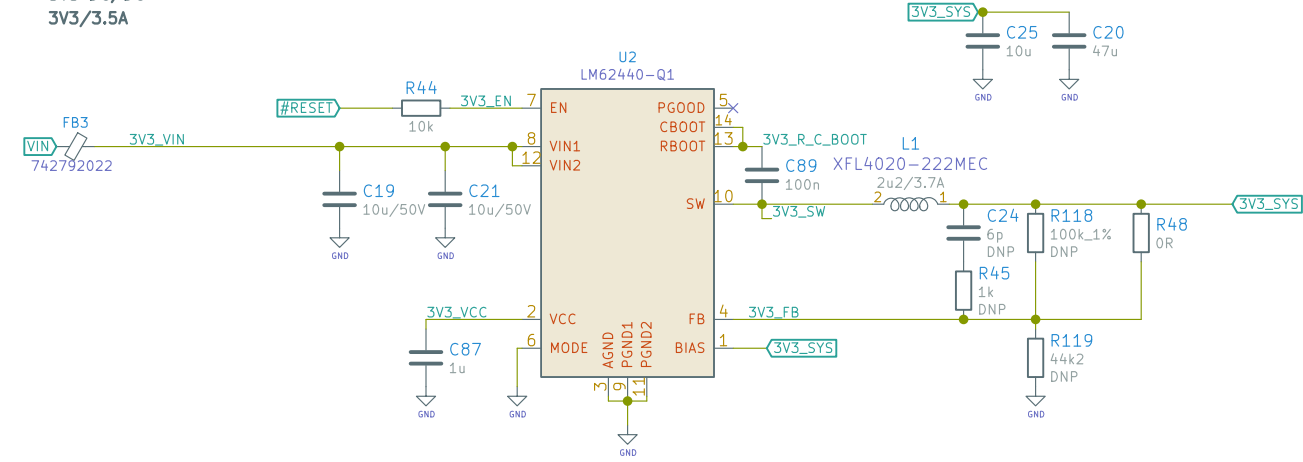
Note:
SIC477 can be substituted with SIC472.
If so:
R43, R41, R58, C24, C32, C39 are populated,
R74, R75 are DNP



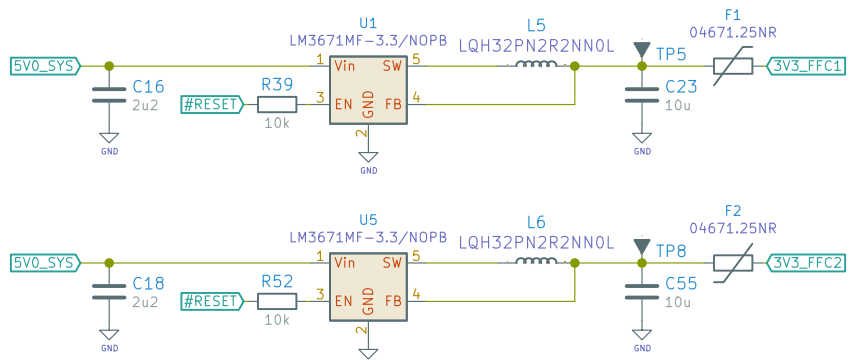
Power sequencer



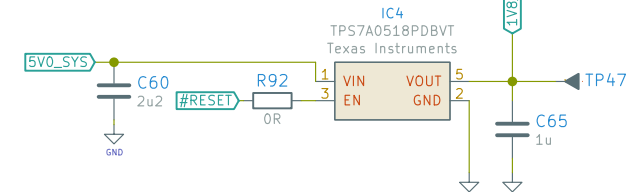
3V3 DC/DC
3V3/3.5A



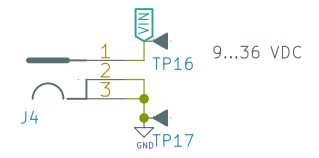
3V3 FFC 1&2



System 1V8



Power Input



Antmicro Ltd
www.antmicro.com
Antmicro Ltd
Sheet: /Supply/
File: supply.sch

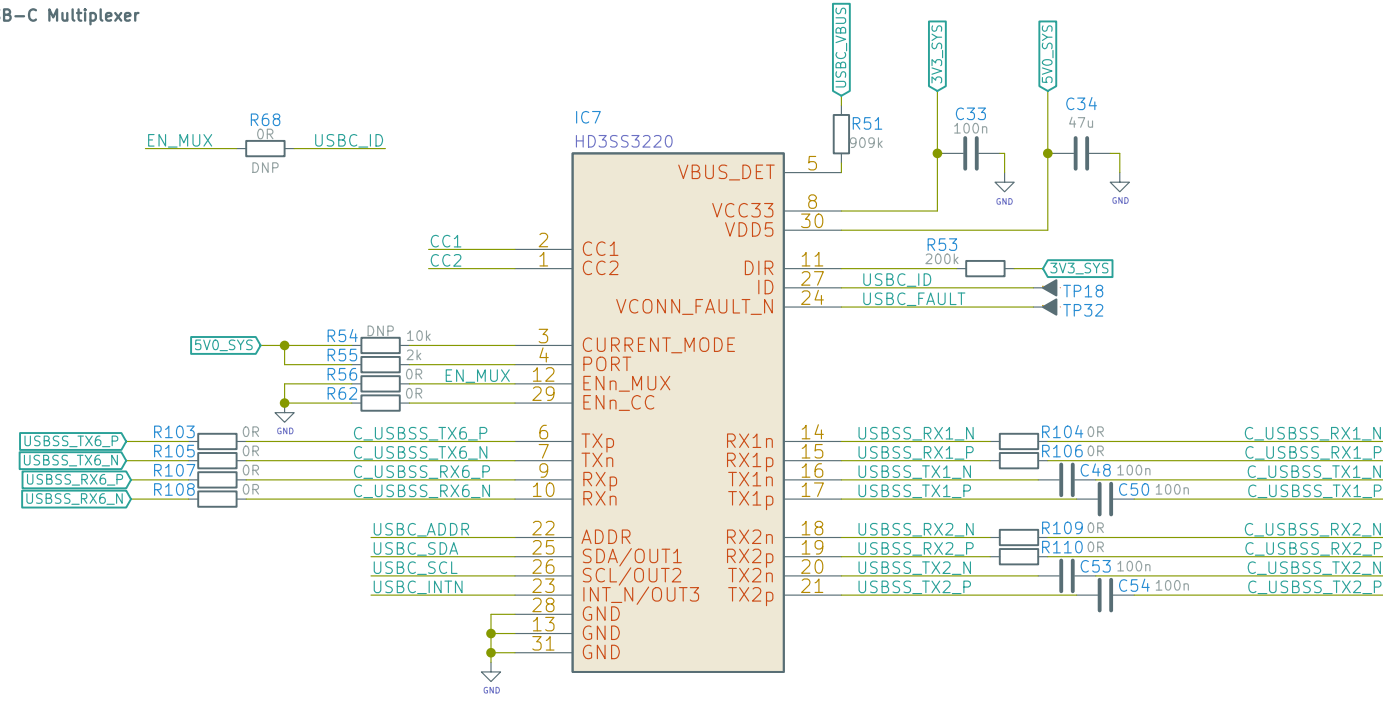
Title: Jetson Nano Baseboard

Size: A3 Date: 2021-12-31
KiCad E.D.A. kicad (5.1.9-0-10.14)

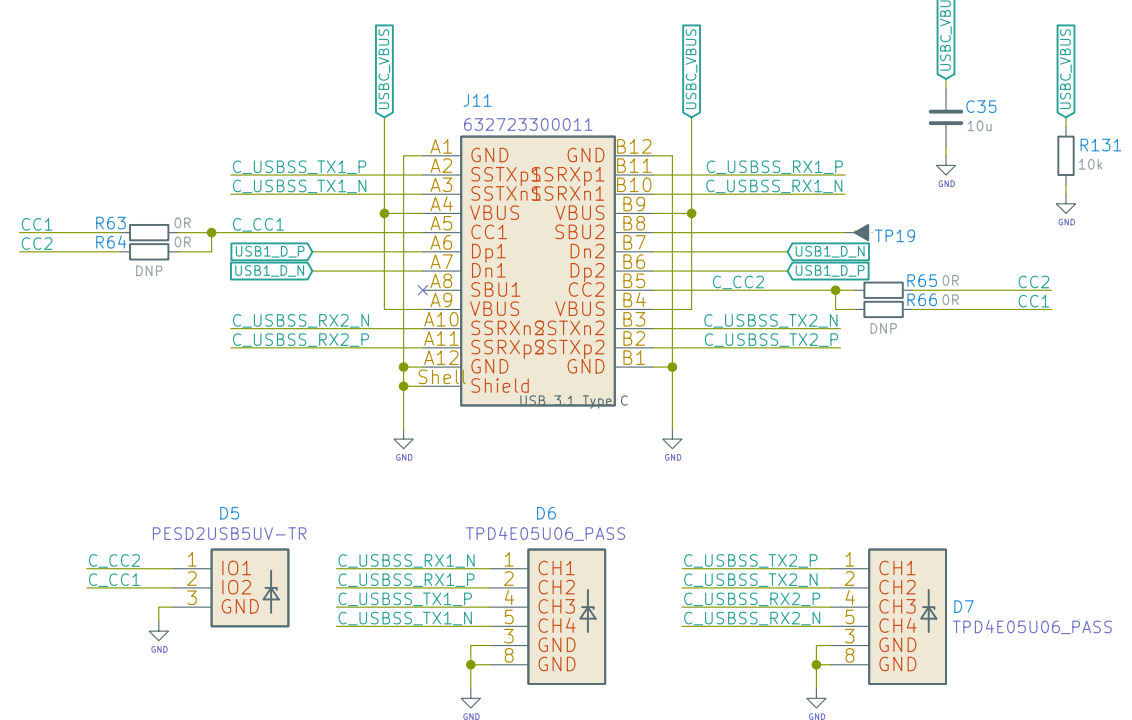
Rev: 1.5.0
Id: 4/8

USB

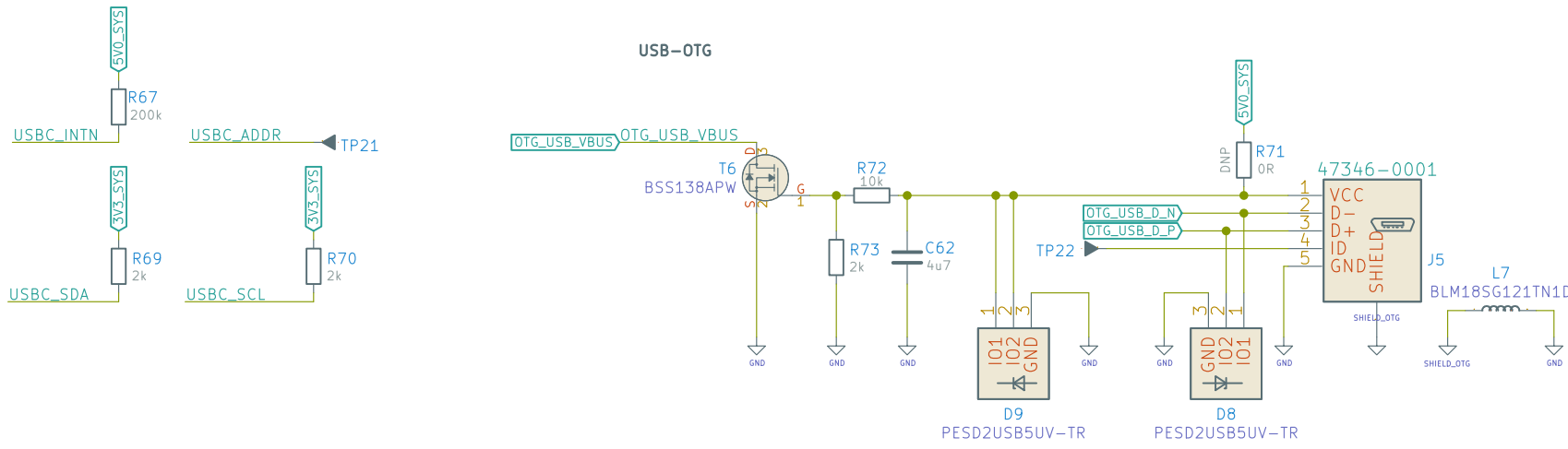
USB-C Multiplexer



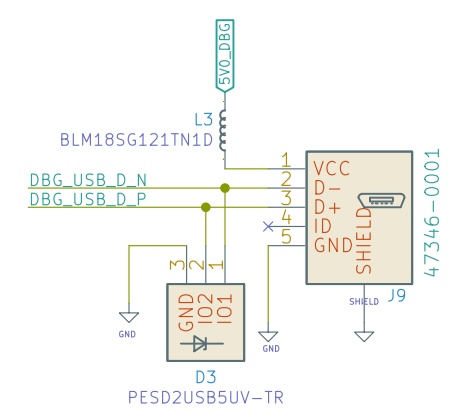
USB-C Connector



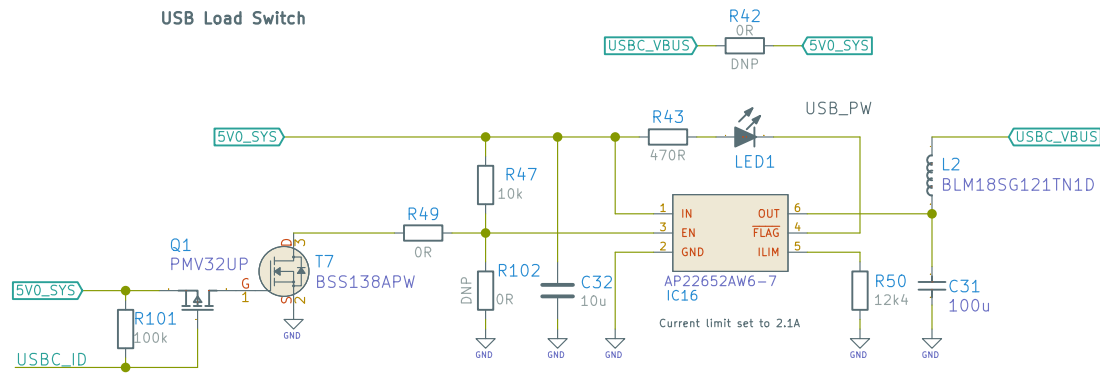
USB-OTG



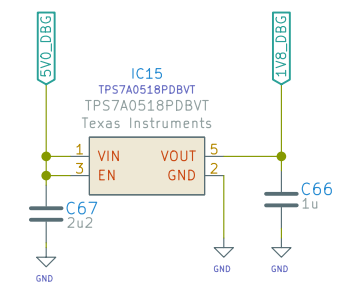
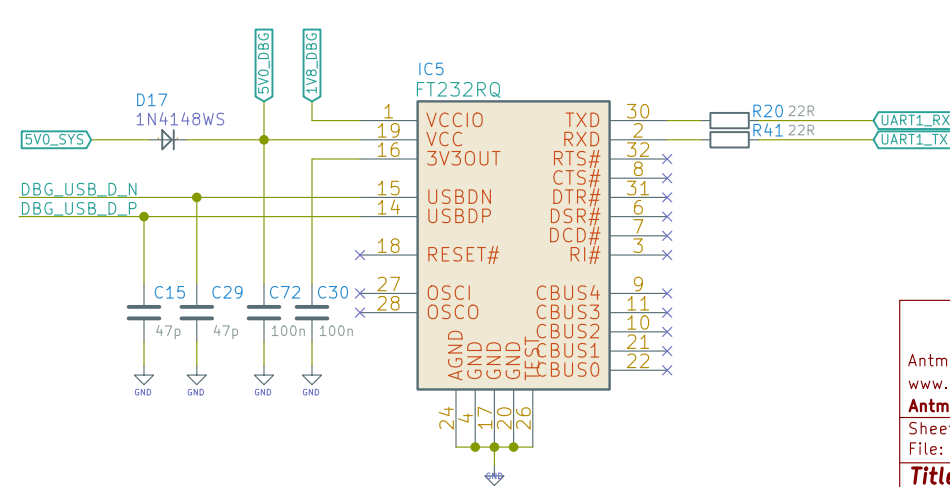
Debug USB connector



USB Load Switch

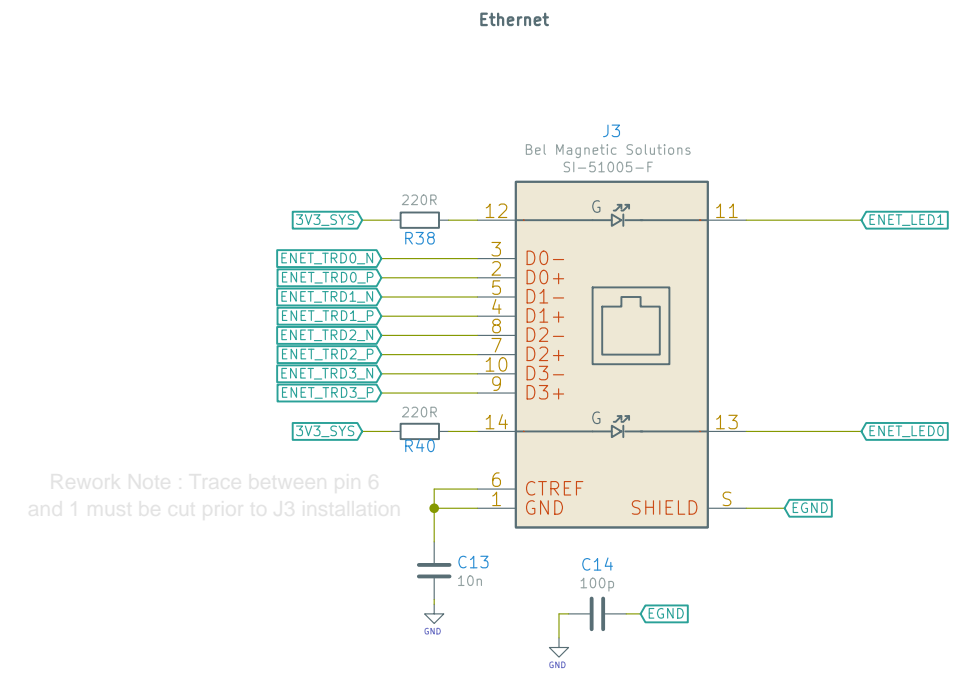
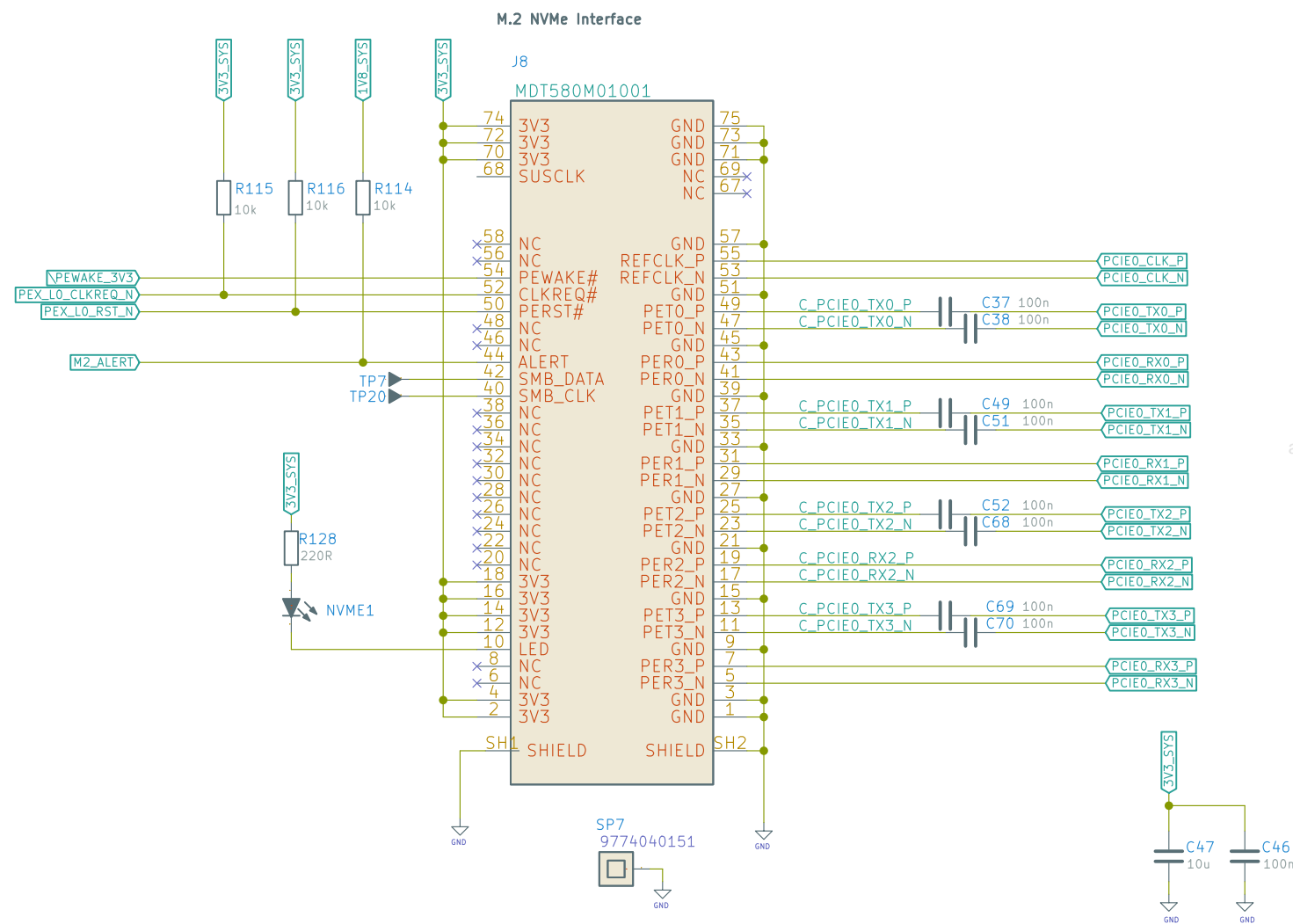


Debug UART



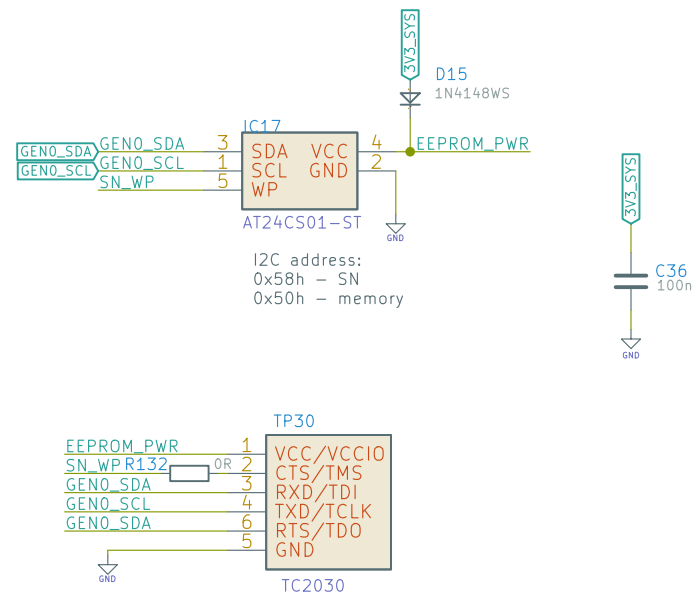
Rework Note : 10K resistor must be installed between pin 1 and 2 of T7

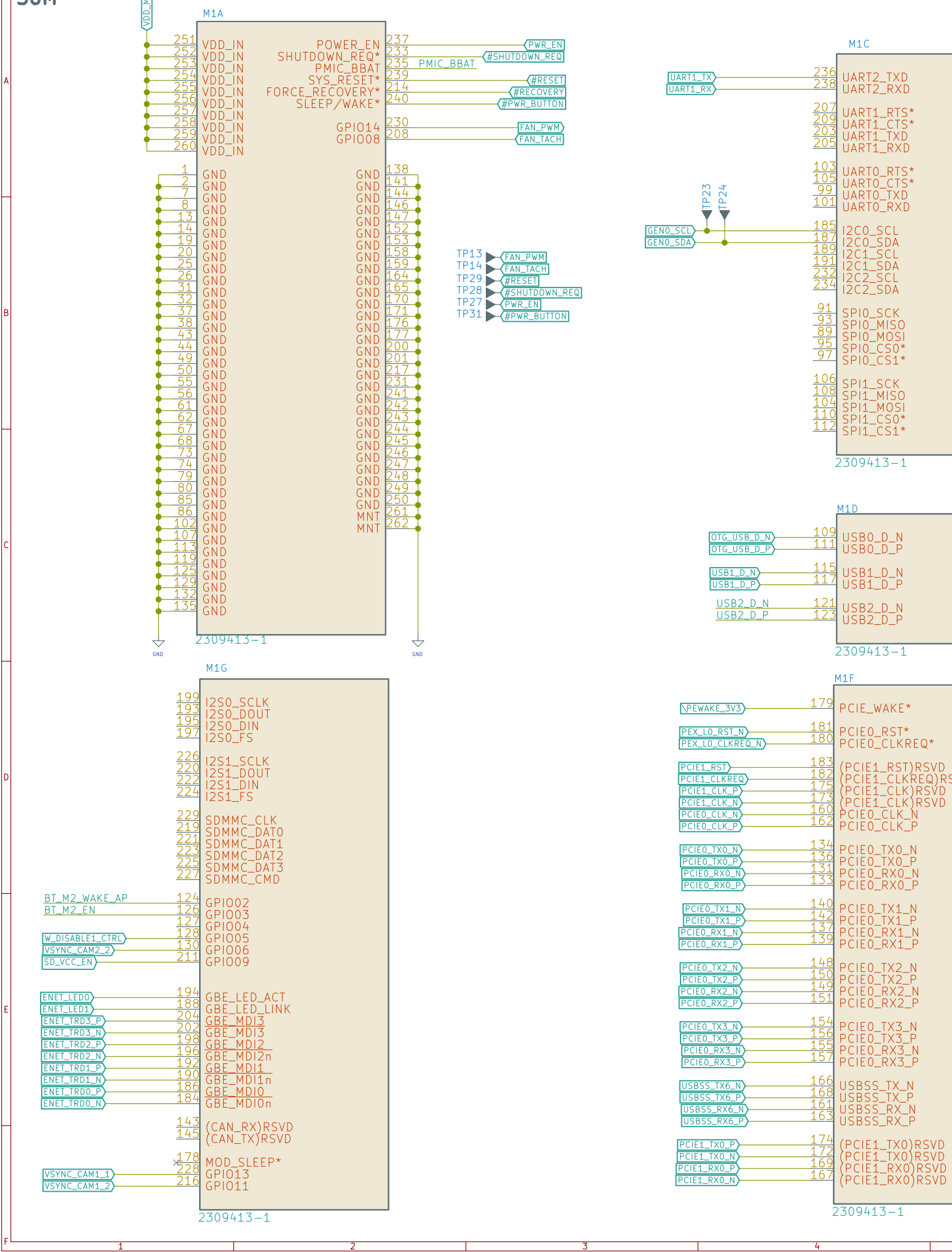
Interfaces



ID serial

EEPROM with Unique ID





M1A

251	VDD_IN	POWER_EN	237	PWR_EN
252	VDD_IN	SHUTDOWN_REQ*	233	#SHUTDOWN_REQ
253	VDD_IN	PMIC_BBAT	235	PMIC_BBAT
254	VDD_IN	SYS_RESET*	239	#RESET
255	VDD_IN	FORCE_RECOVERY*	214	#RECOVERY
256	VDD_IN	SLEEP/WAKE*	240	#PWR_BUTTON
257	VDD_IN			
258	VDD_IN	GPIO14	230	FAN_PWM
259	VDD_IN	GPIO08	208	FAN_TACH
260	VDD_IN			
1	GND		138	GND
2	GND		141	GND
7	GND		144	GND
8	GND		146	GND
13	GND		147	GND
14	GND		152	GND
19	GND		153	GND
20	GND		158	GND
25	GND		159	GND
26	GND		164	GND
31	GND		165	GND
32	GND		170	GND
37	GND		171	GND
38	GND		176	GND
43	GND		177	GND
44	GND		200	GND
49	GND		201	GND
50	GND		217	GND
55	GND		231	GND
56	GND		241	GND
61	GND		242	GND
62	GND		243	GND
67	GND		244	GND
68	GND		245	GND
73	GND		246	GND
74	GND		247	GND
79	GND		248	GND
80	GND		249	GND
85	GND		250	GND
86	GND		261	GND
102	GND		262	MNT
107	GND			
113	GND			
119	GND			
125	GND			
129	GND			
132	GND			
135	GND			

M1G

199	I2S0_SCLK	
193	I2S0_DOUT	
195	I2S0_DIN	
197	I2S0_FS	
226	I2S1_SCLK	
220	I2S1_DOUT	
222	I2S1_DIN	
224	I2S1_FS	
229	SDMMC_CLK	
219	SDMMC_DAT0	
221	SDMMC_DAT1	
223	SDMMC_DAT2	
225	SDMMC_DAT3	
227	SDMMC_CMD	
124	GPIO02	BT_M2_WAKE_AP
126	GPIO03	BT_M2_EN
127	GPIO04	
128	GPIO05	W_DISABLE1_CTRL
130	GPIO06	VSYNC_CAM2_2
211	GPIO09	SD_VCC_EN
194	GBE_LED_ACT	ENET_LED0
188	GBE_LED_LINK	ENET_LED1
204	GBE_MDI3	ENET_TRD3_P
202	GBE_MDI3	ENET_TRD3_N
198	GBE_MDI2	ENET_TRD2_P
196	GBE_MDI2n	ENET_TRD2_N
192	GBE_MDI1	ENET_TRD1_P
190	GBE_MDI1n	ENET_TRD1_N
186	GBE_MDI0	ENET_TRD0_P
184	GBE_MDI0n	ENET_TRD0_N
143	(CAN_RX)RSVD	
145	(CAN_TX)RSVD	
178	MOD_SLEEP*	VSYNC_CAM1_1
228	GPIO13	VSYNC_CAM1_2
216	GPIO11	

M1C

236	UART2_TXD	UART1_TX
238	UART2_RXD	UART1_RX
207	UART1_RTS*	
209	UART1_CTS*	
203	UART1_TXD	
205	UART1_RXD	
103	UART0_RTS*	
105	UART0_CTS*	
99	UART0_TXD	
101	UART0_RXD	
185	I2C0_SCL	GEN0_SCL
187	I2C0_SDA	GEN0_SDA
189	I2C1_SCL	
191	I2C1_SDA	
232	I2C2_SCL	
234	I2C2_SDA	
91	SPI0_SCK	
93	SPI0_MISO	
89	SPI0_MOSI	
95	SPI0_CS0*	
97	SPI0_CS1*	
106	SPI1_SCK	
108	SPI1_MISO	
104	SPI1_MOSI	
110	SPI1_CS0*	
112	SPI1_CS1*	

M1D

109	USB0_D_N	OTG_USB_D_N
111	USB0_D_P	OTG_USB_D_P
115	USB1_D_N	USB1_D_N
117	USB1_D_P	USB1_D_P
121	USB2_D_N	USB2_D_N
123	USB2_D_P	USB2_D_P

M1F

179	PCIE_WAKE*	PEWAKE_3V3
181	PCIE0_RST*	PEX_LO_RST_N
180	PCIE0_CLKREQ*	PEX_LO_CLKREQ_N
183	(PCIE1_RST)RSVD	PCIE1_RST
182	(PCIE1_CLKREQ)RSVD	PCIE1_CLKREQ
175	(PCIE1_CLK)RSVD	PCIE1_CLK_P
173	(PCIE1_CLK)RSVD	PCIE1_CLK_N
160	PCIE0_CLK_N	PCIE0_CLK_N
162	PCIE0_CLK_P	PCIE0_CLK_P
134	PCIE0_TX0_N	PCIE0_TX0_N
136	PCIE0_TX0_P	PCIE0_TX0_P
131	PCIE0_RX0_N	PCIE0_RX0_N
133	PCIE0_RX0_P	PCIE0_RX0_P
140	PCIE0_TX1_N	PCIE0_TX1_N
142	PCIE0_TX1_P	PCIE0_TX1_P
137	PCIE0_RX1_N	PCIE0_RX1_N
139	PCIE0_RX1_P	PCIE0_RX1_P
148	PCIE0_TX2_N	PCIE0_TX2_N
150	PCIE0_TX2_P	PCIE0_TX2_P
149	PCIE0_RX2_N	PCIE0_RX2_N
151	PCIE0_RX2_P	PCIE0_RX2_P
154	PCIE0_TX3_N	PCIE0_TX3_N
156	PCIE0_TX3_P	PCIE0_TX3_P
155	PCIE0_RX3_N	PCIE0_RX3_N
157	PCIE0_RX3_P	PCIE0_RX3_P
166	USBSS_TX_N	USBSS_TX6_N
168	USBSS_TX_P	USBSS_TX6_P
161	USBSS_RX_N	USBSS_RX6_N
163	USBSS_RX_P	USBSS_RX6_P
174	(PCIE1_TX0)RSVD	PCIE1_TX0_P
172	(PCIE1_TX0)RSVD	PCIE1_TX0_N
169	(PCIE1_RX0)RSVD	PCIE1_RX0_P
167	(PCIE1_RX0)RSVD	PCIE1_RX0_N