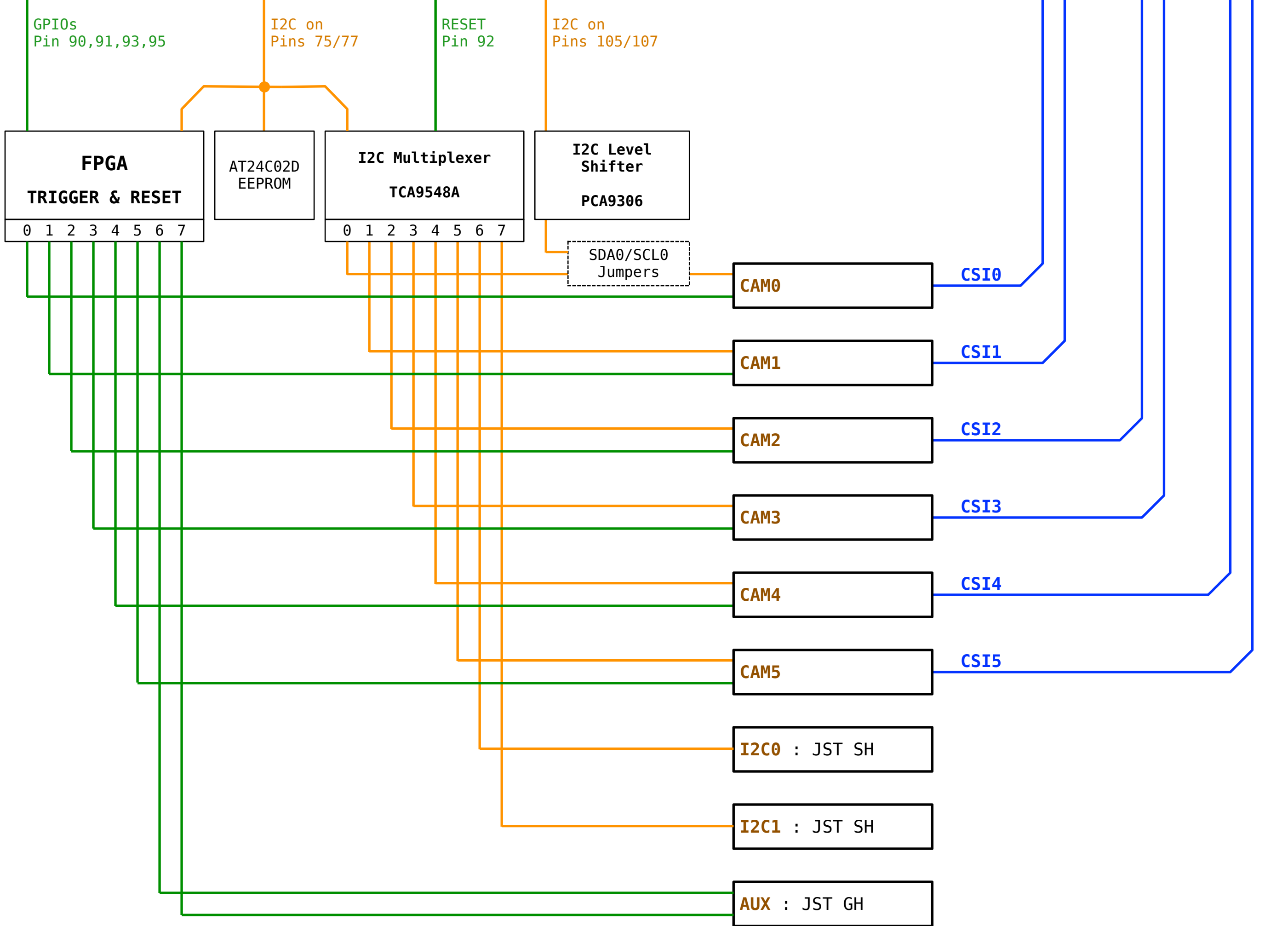
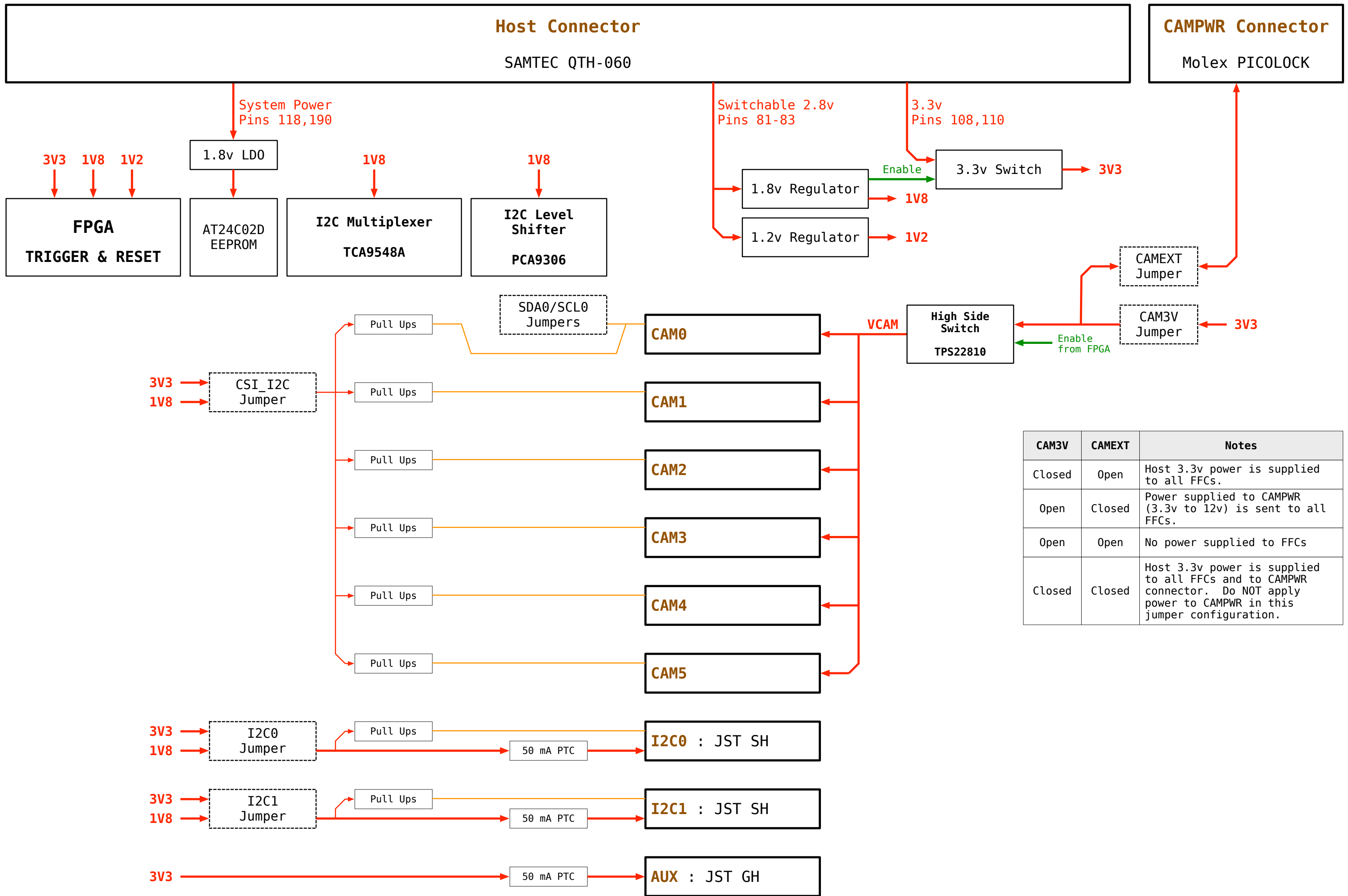


Host Connector
SAMTEC QTH-060

CAMPWR Connector
Molex PICOLOCK





CAM3V	CAMEXT	Notes
Closed	Open	Host 3.3v power is supplied to all FFCs.
Open	Closed	Power supplied to CAMPWR (3.3v to 12v) is sent to all FFCs.
Open	Open	No power supplied to FFCs
Closed	Closed	Host 3.3v power is supplied to all FFCs and to CAMPWR connector. Do NOT apply power to CAMPWR in this jumper configuration.

